


Installation manual for industrial doors


VERTICAL LIFT (VL)





Symbols

Important (safety) instructions 

Hint or Clue 


Operation by Electric Operator 

Look to / Check 

Operation by hand 

Operation by Chain Hoist 

Additional manual 

Door Processing Document 

General warnings

This manual has been prepared for use by qualified persons and therefore not by trainees or “do it yourselfers”.

The persons how assembly, disassembly, maintain or put the door system into operation need to careful read, understand and follow this manual. To avoid severe personal injury, carefully read and observe all indications and warnings in this manual.

- This manual describes the assembly, disassembly and maintenance of your Industrial Door System; this may be supplemented by other manuals, for instance the spring break device manual, cable break device and operator manual (if applicable.)
- The Industrial Door System has been designed in accordance with the latest European standards; however you have to check yourself whether this standard corresponds with the local national standard.
- All measurements are in millimeters unless otherwise specified.
- After installation ensure that the CE marking label has been completed and attached.
- Keep this manual in a safe place, near to the Industrial door.
- Subject to technical changes, without written notice.

Safety requirements for assembly and first use

- This Industrial Door System may only be mounted, connected and put into operation and maintained by qualified persons.
- Make sure that the power is switched off and remains switched off while electrical work is carried out!
- Never bridge safety devices!
- Adding or leaving out parts can affect the door operation in a negative way and therefore the safety of the installed sectional door. This is therefore strongly discouraged!
- Some parts can contain sharp edges: use protective gloves. • All references to the door/component handing within this manual is always as viewed from inside looking out.
- Never use the Industrial Door System in case of a visual damage, especially cables and safety devices.
- When performing assembly/maintenance, always wear at least gloves and safety boots and during drilling/cutting wear safety goggles!
- Make sure that you can always perform your work in a stable environment.
- Secure the assembly/maintenance site with safety ribbon to keep others at a distance.
- Maintenance must only be performed by a qualified installation company and/or qualified persons.
- Make sure there is enough light.
- Only use appropriate tools, especially when tensioning the torsion springs.



Fixing material to the construction

The necessary fixings to ensure the Industrial Door System to the building and/or ceiling, are not included! It is the responsibility of the installation company to make sure that the building structure is safe/strong enough, to accept the door and its fixings. The installer is also responsible for using the correct fixing materials on the right foundation (stone, concrete, steel, wood). In the image section there will be therefore no specification included.









Doorweight* for roofload: 510 N/m²
Using doorblades between 7-14 kg/m²

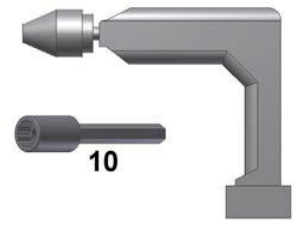
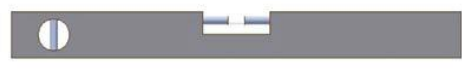
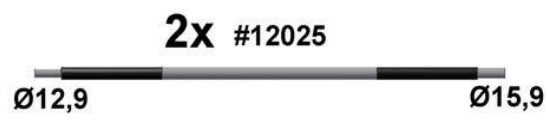
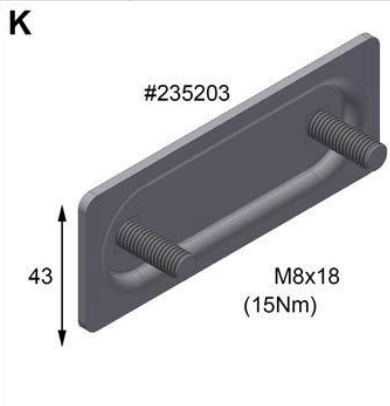


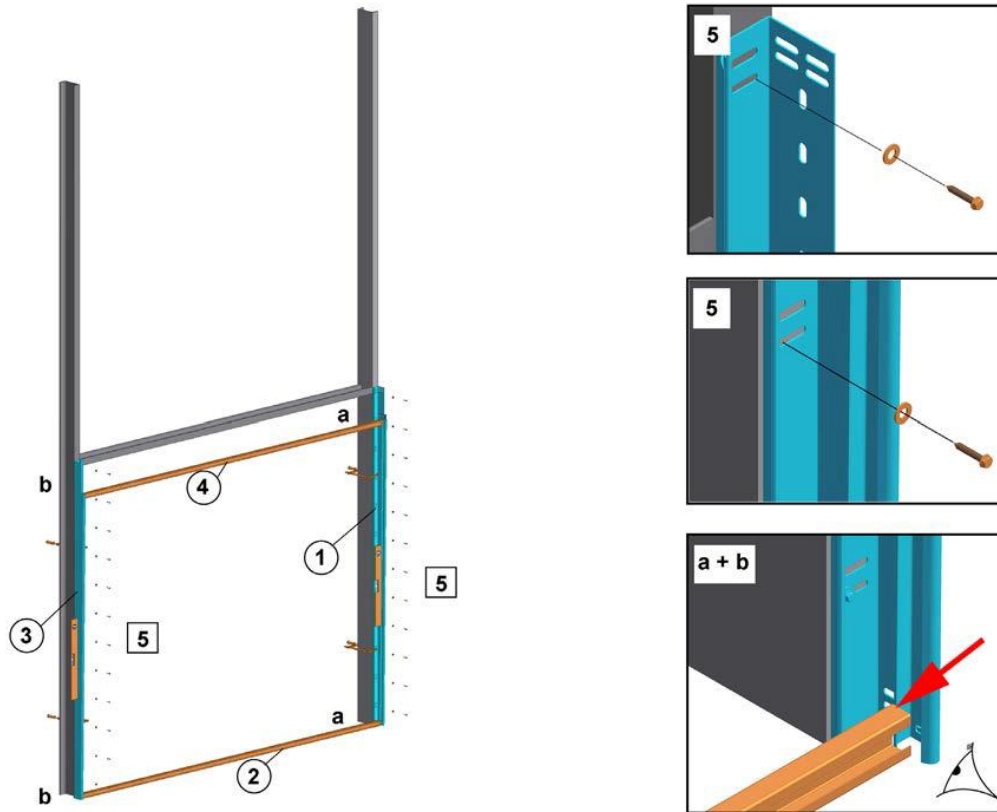
System Overview and build in requirements

See *Industrial Track Systems* document for system drawings, build in requirements and required free running space of the industrial door.

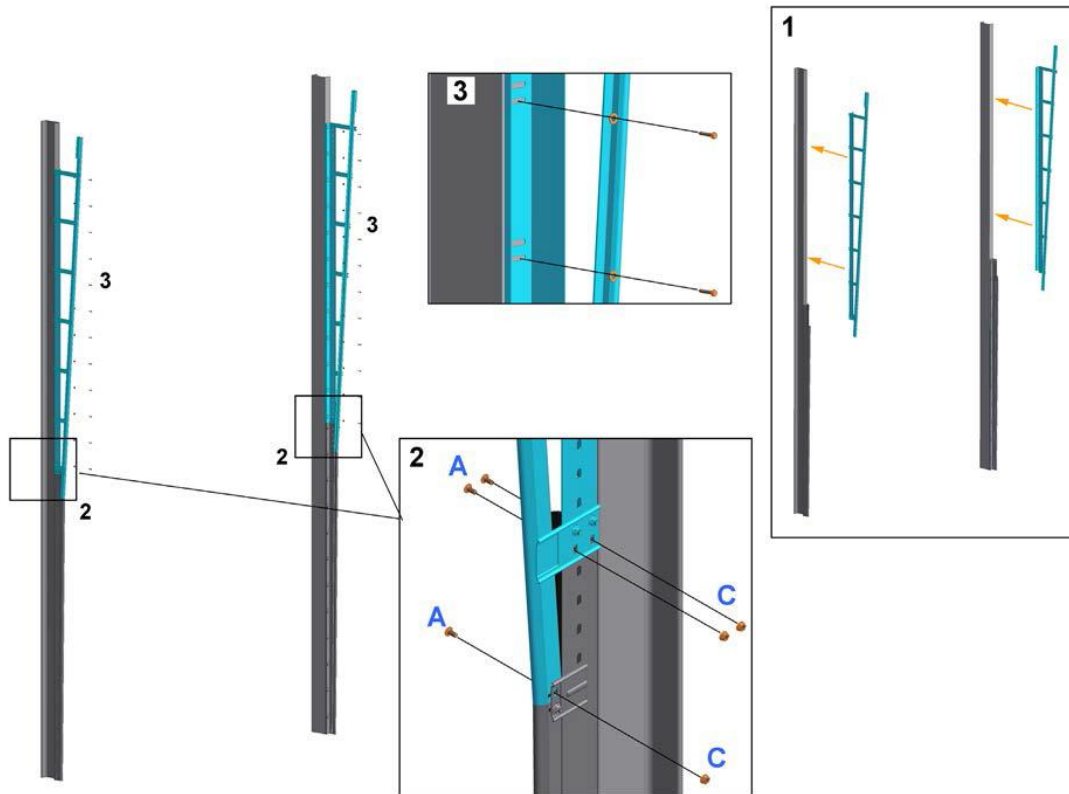
Big differences in temperature between the inside and outside can cause deflection in the panel sections (bi-metal effect). In particular dark colored panels are susceptible to this problem and should be avoided. Care should be taken during manual handling as there is a big risk of damage.

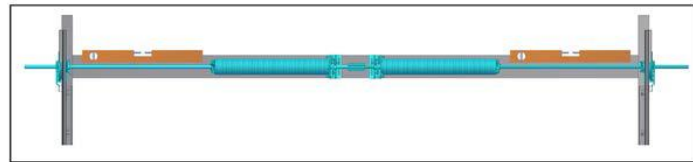
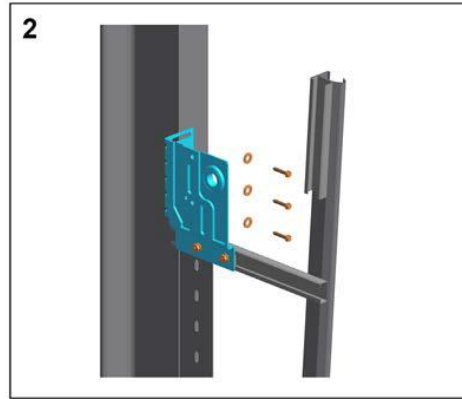
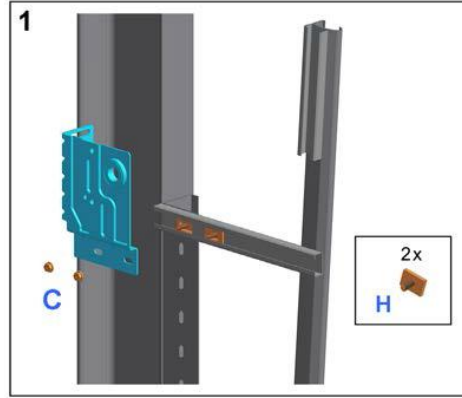
<p>A #14023  (13Nm) M8x17</p>	<p>B #14024  (13Nm) M8x10</p>	<p>C #14022  (13/15 Nm) M8</p>	<p>D DIN 985  (35Nm) M10</p>
<p>E #14020, L=16 #150002, L=25 #14017, L=35  (10Nm) Ø 6.3</p>	<p>F #14025  (18Nm) M8x25</p>	<p>G #14026  (35Nm) M10x25</p>	<p>H #235201  M8x15 (15Nm)</p>





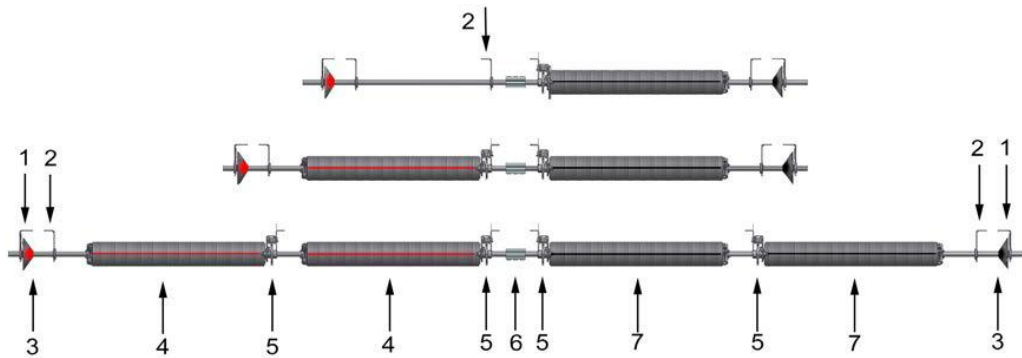
OPTION - (2,4) top profile, not included in standard kit





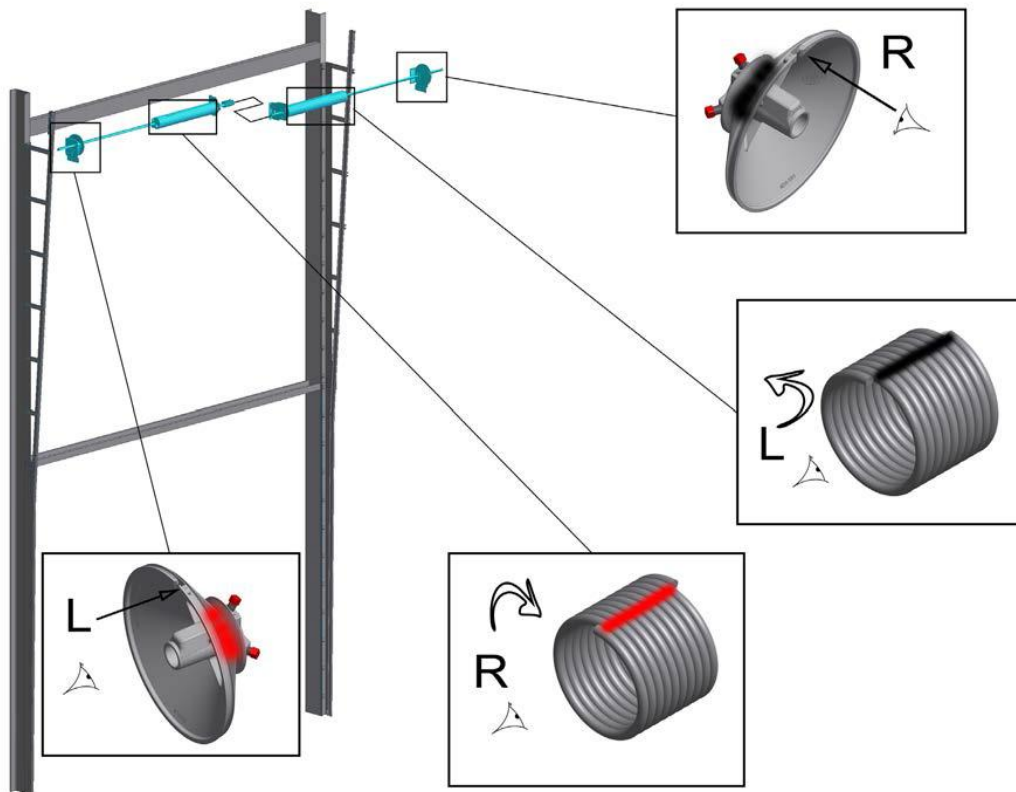
25449

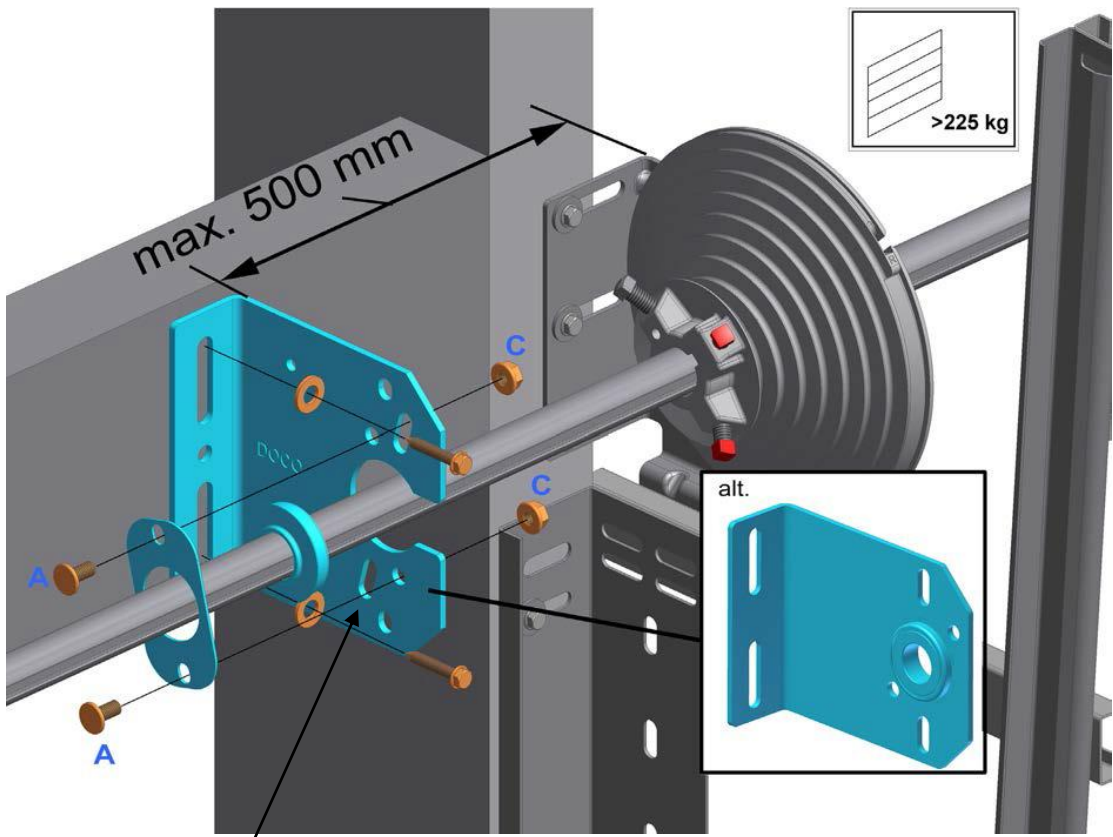
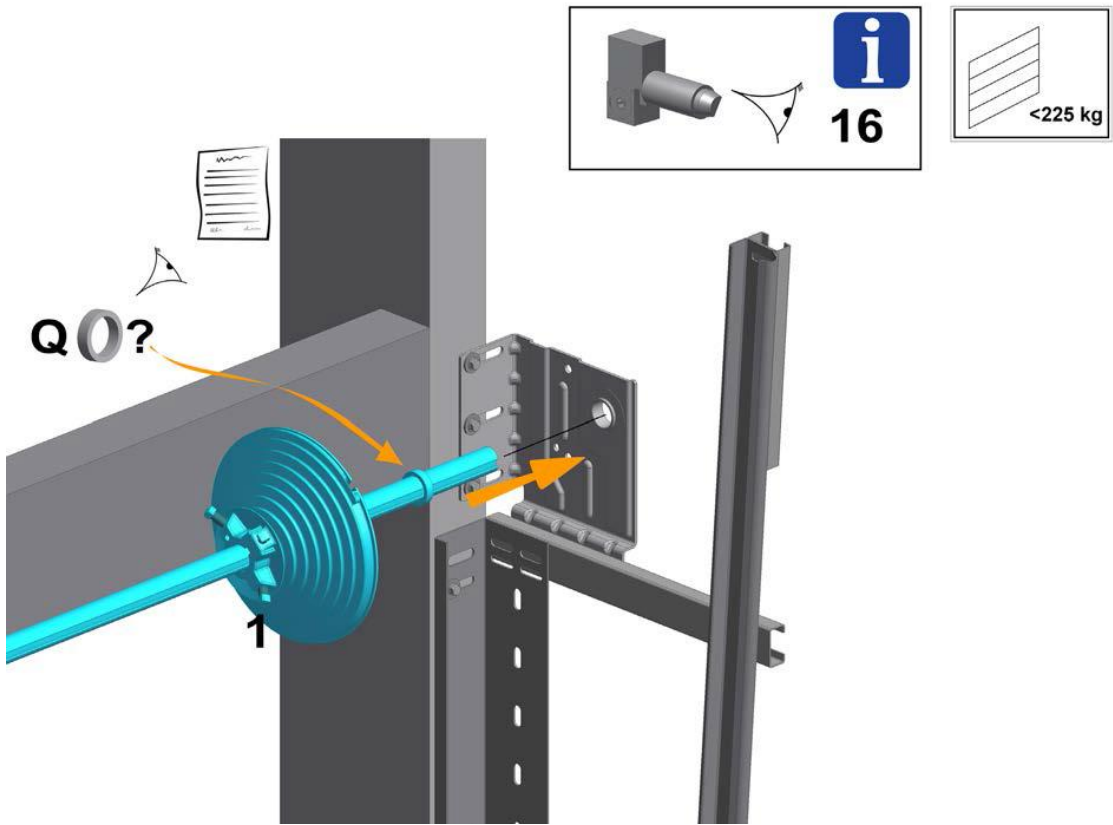




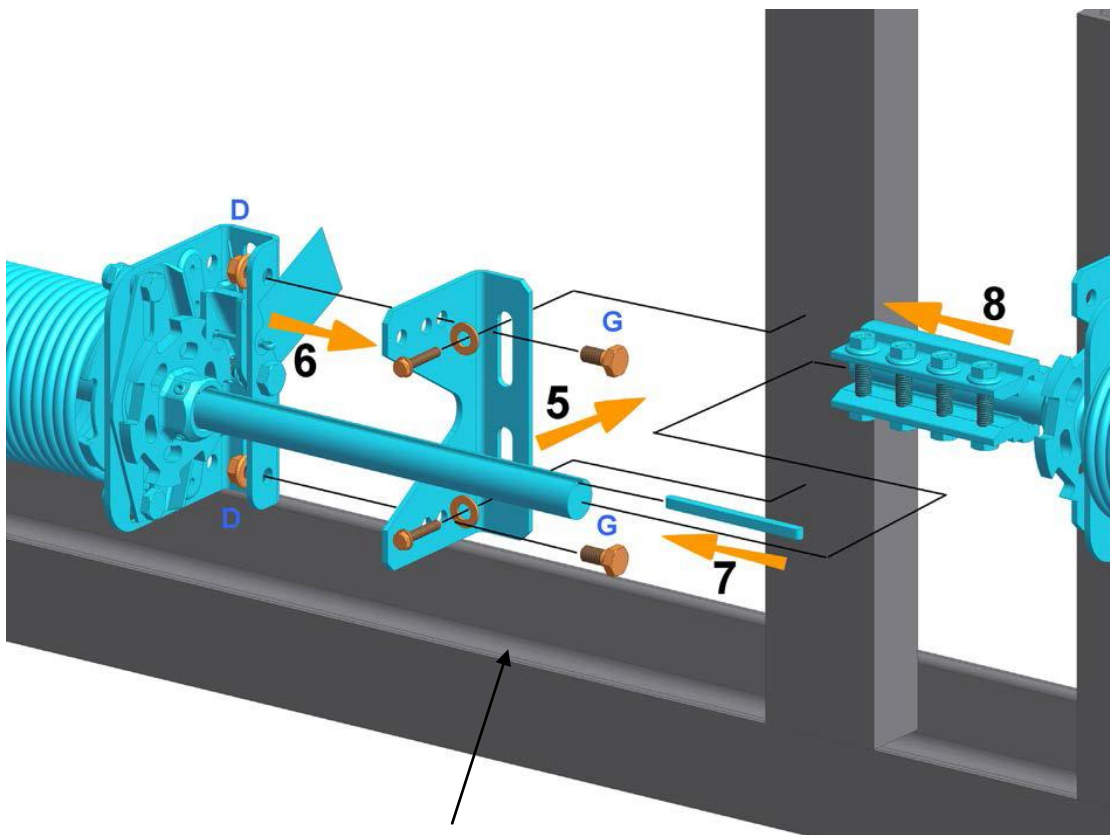
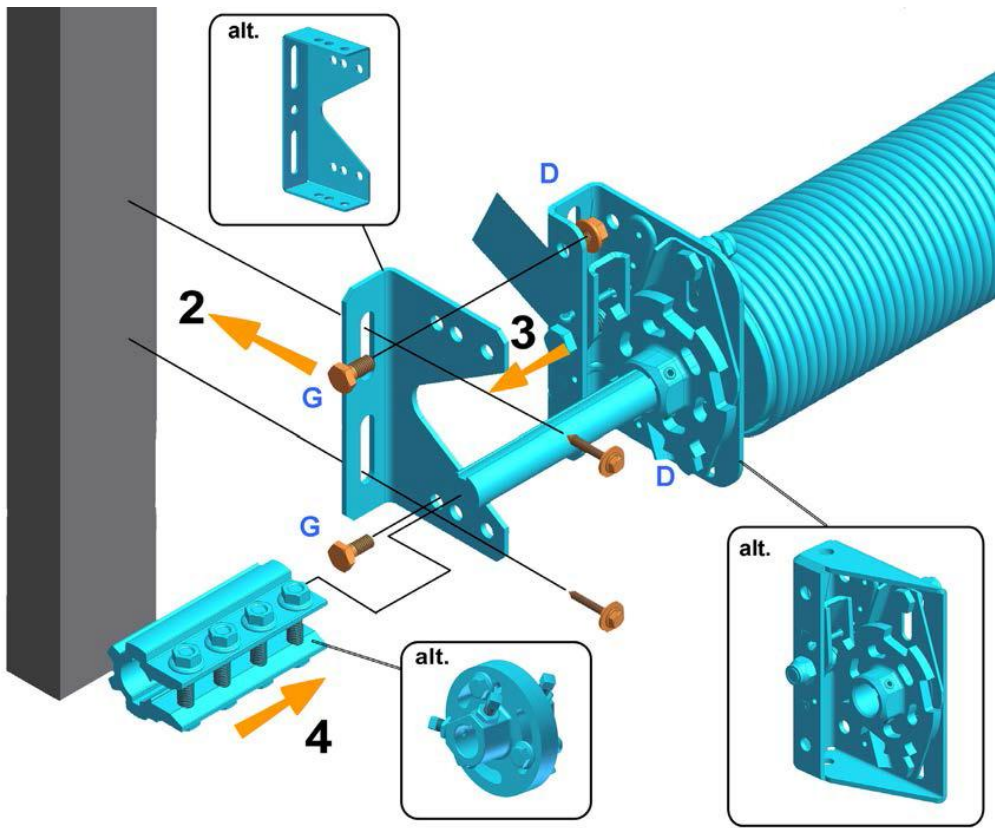
Offset [mm]	End bearing plate 1	Support bearing plate 2*	Drum 3	Spring 4	Spring break device 5	Coupler 6	Spring 7
86	235310 or 130102	13301 + 14002 + 13026 or 13025 + 13026-27 or 13013	Drums with 2 or 0,5 safety wrap (depends of drum), cable outside	Spring Right = Red color code	25449 or 299540/41	25049 or 275001 or 25042	Spring Left = Black or Blue color code
111	235311 or 130103	13302 + 14002 + 13026 or 13025 + 13026-27 or 13014			25449 + 25448 or 299540/41 + 299560		
127	235312 or 130104	13303 + 14002 + 13026 or 13025 + 13026-27 or 13015			25449 + 25448 or 299540/41 + 299560		
152	235313 or 130105	13303 + 14002 + 13026 or 13025 + 13026-27 or 13016			25449 + 25448 or 299540/41 + 299560		

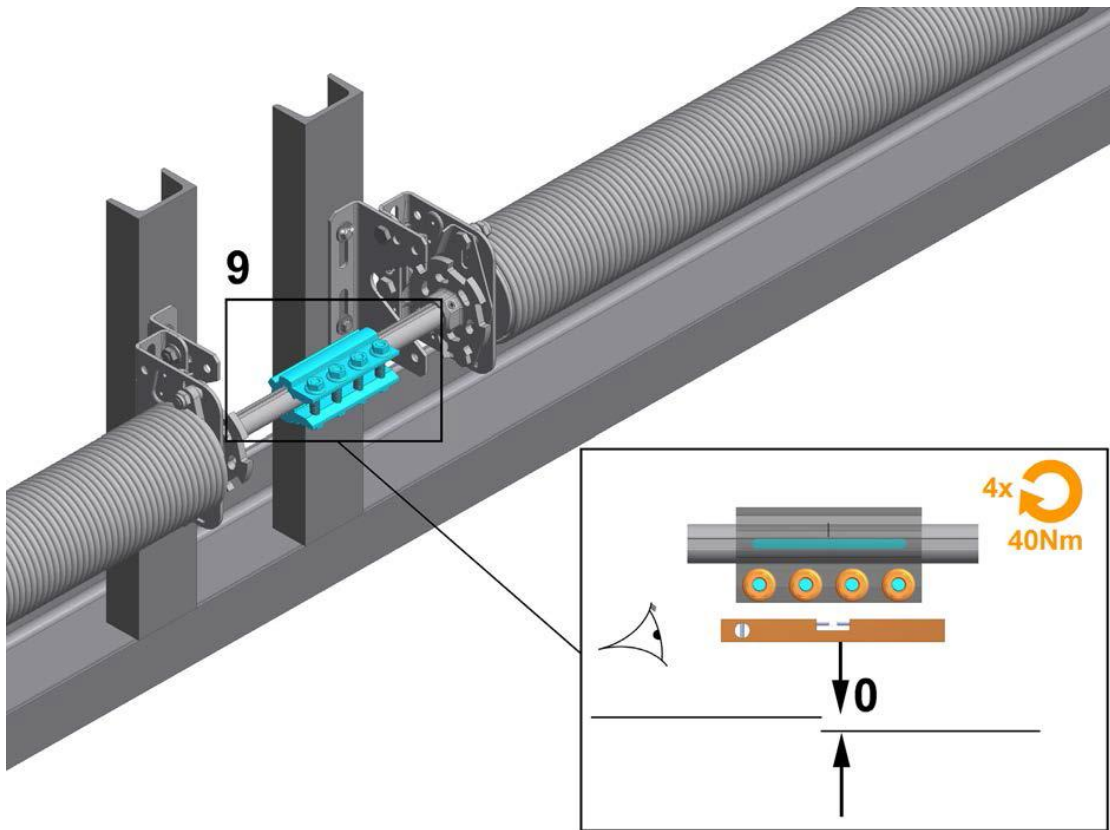
* = only if door > 225kg





OPTION for big doors



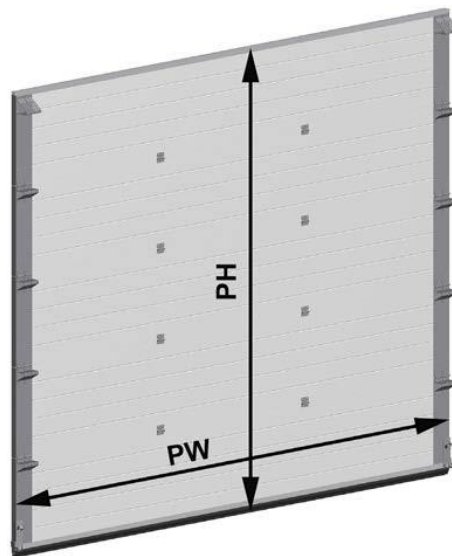
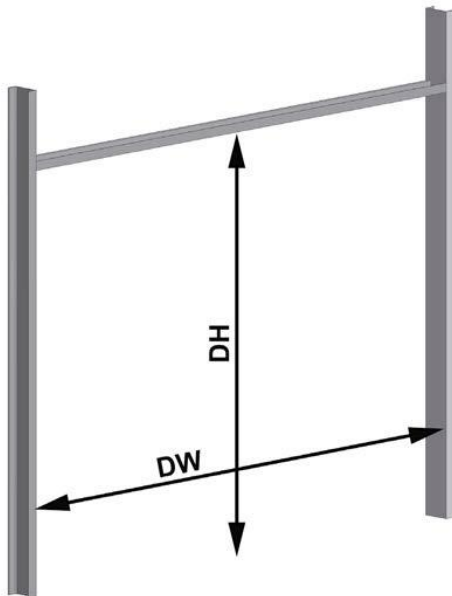


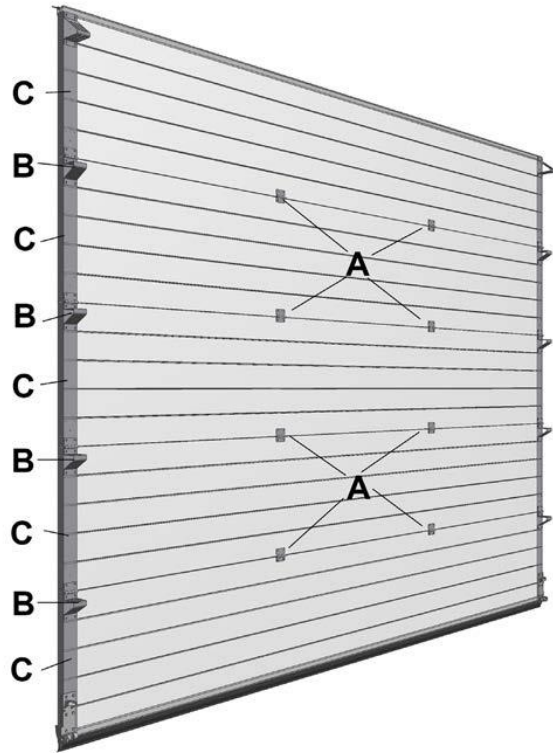
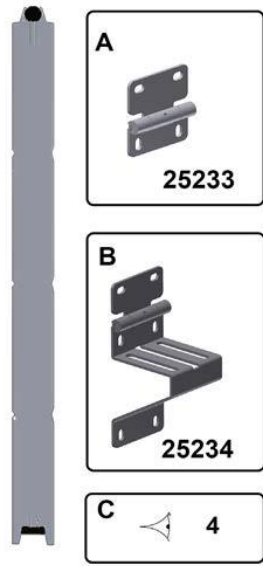
Panel assembly

DW = door opening width
 DH = door opening height

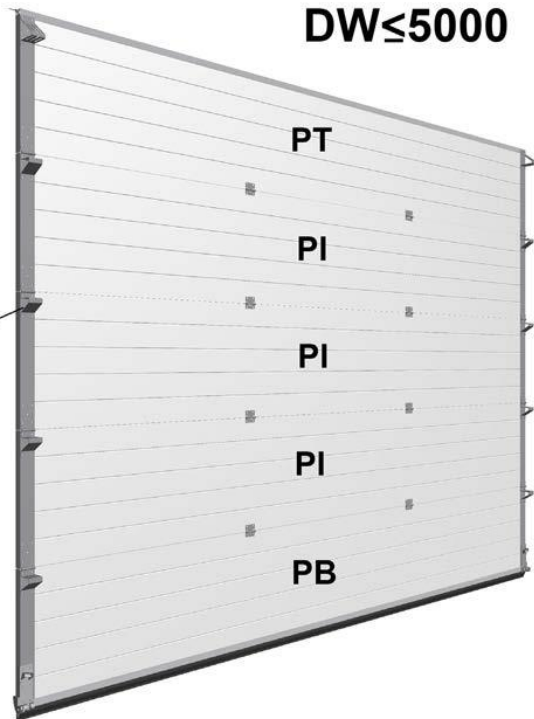
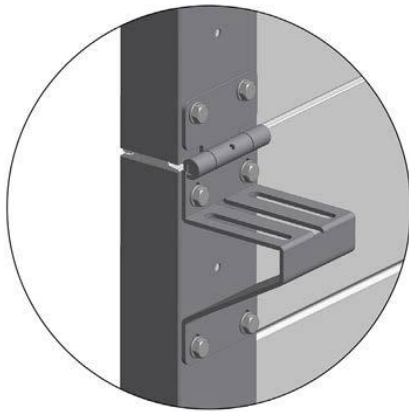
PW = panel width
 PH = panel height

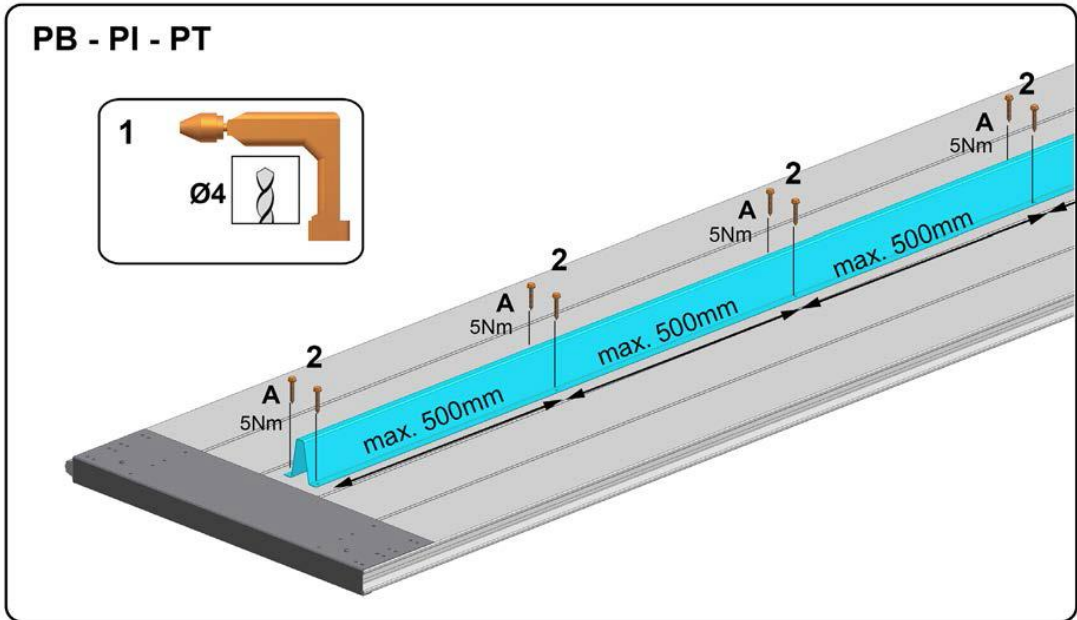
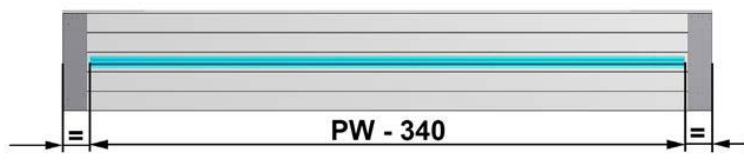
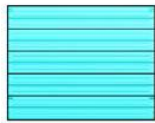
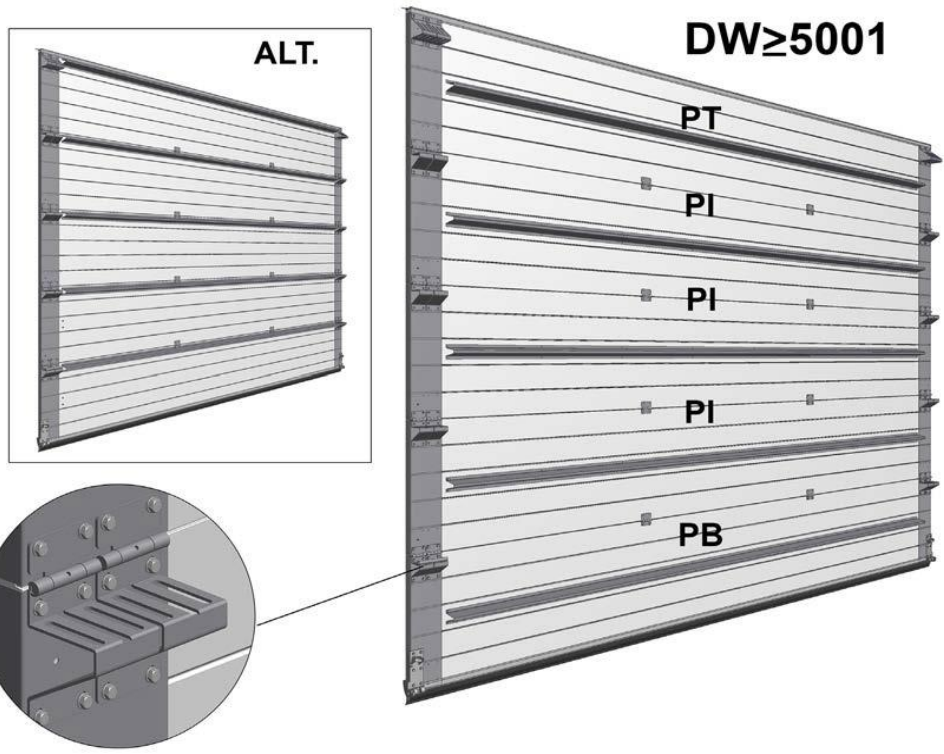
$PW = DW + 50mm$
 $PH = DH + 25mm$





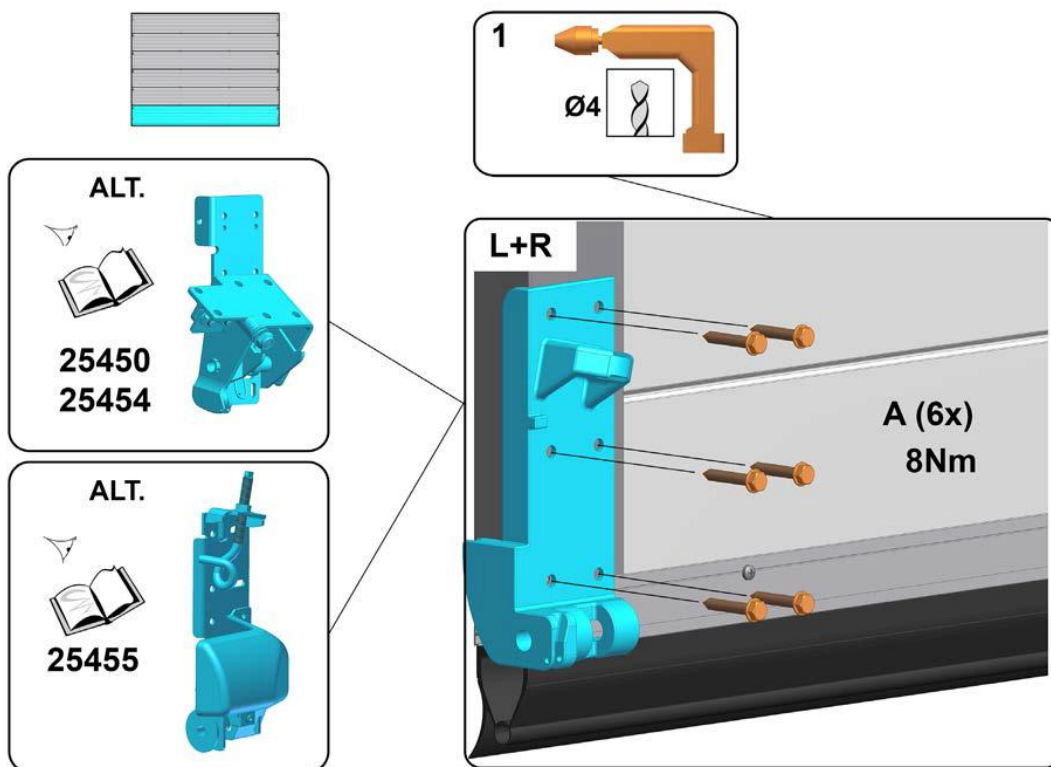
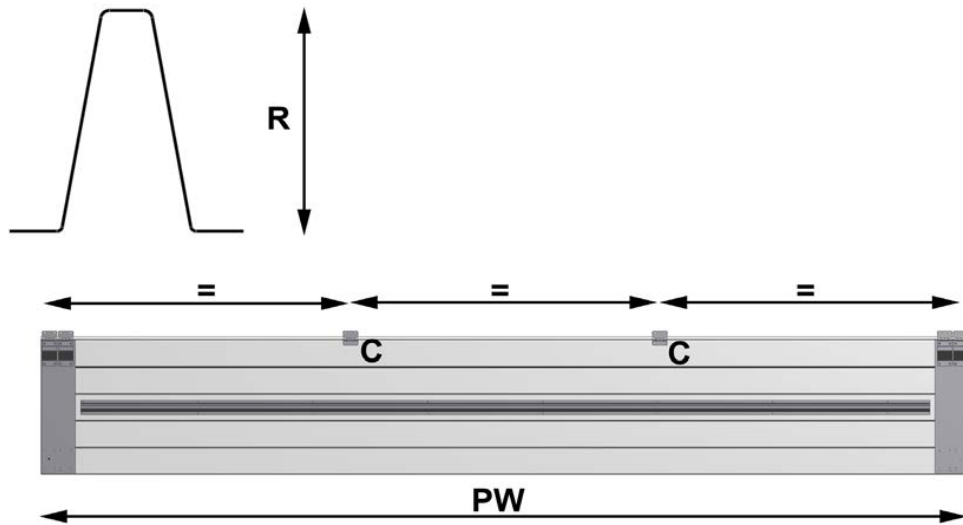
DW ≤ 5000

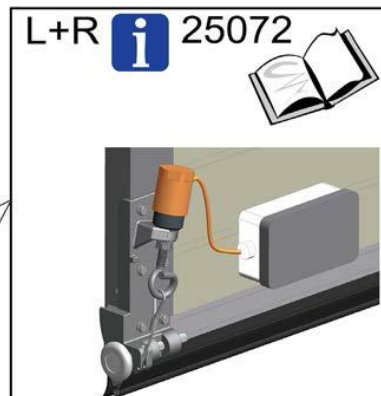
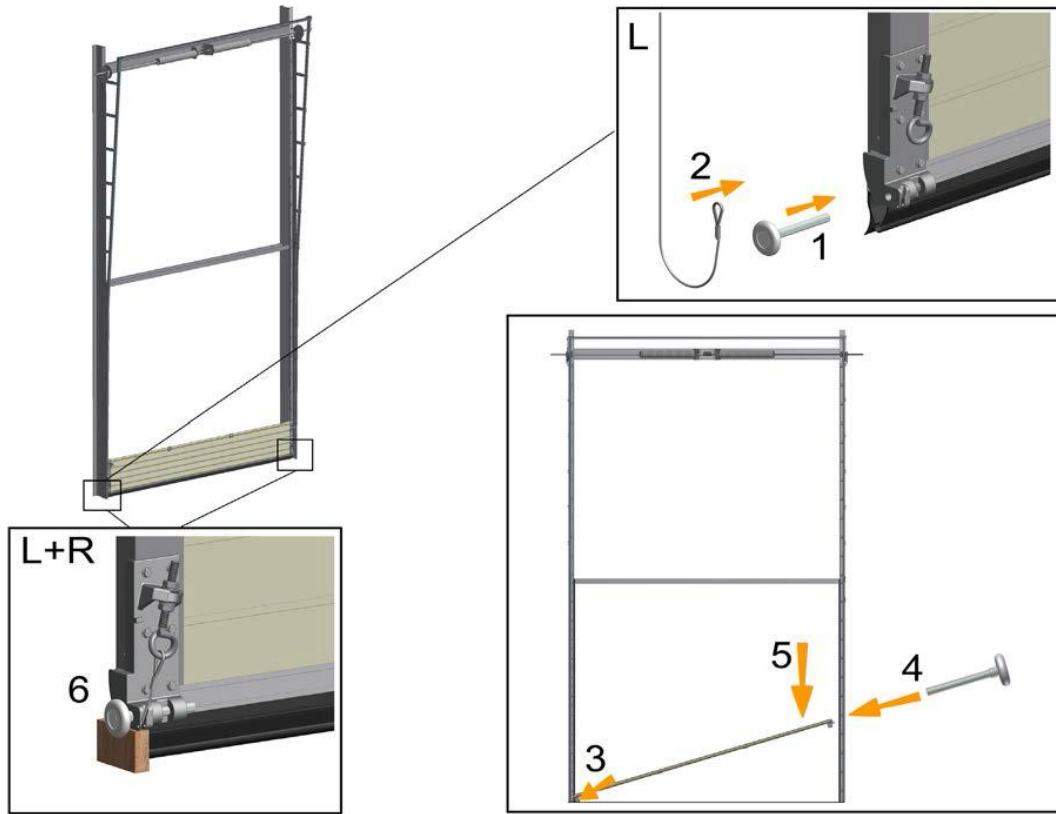




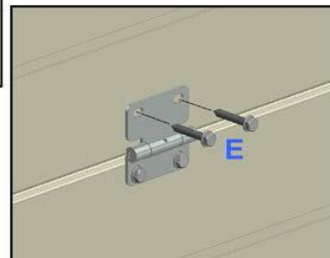
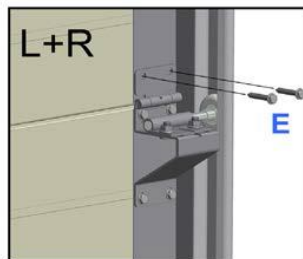
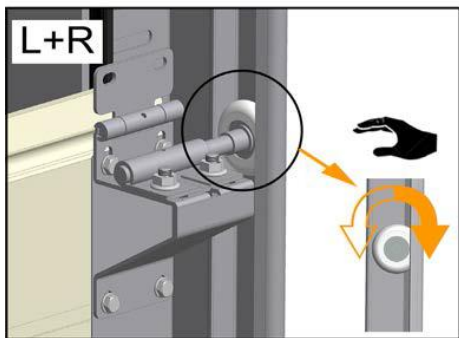
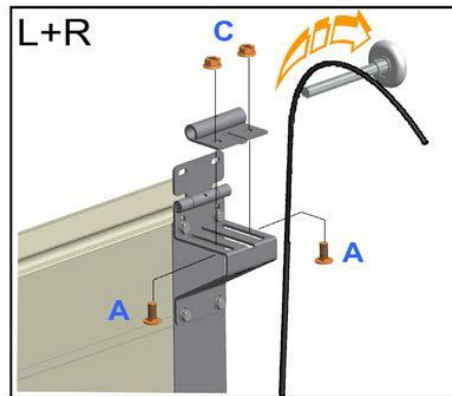
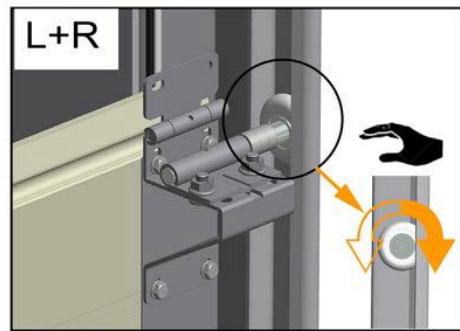
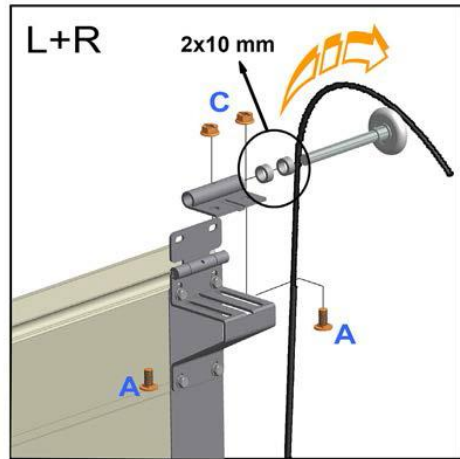
R = 67 mm	PW = 5001 - 6000 mm
R = 81 mm	PW = 6001 - 7500 mm
R = 120 mm	PW = 7501 - 8500 mm

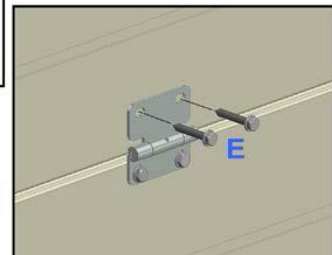
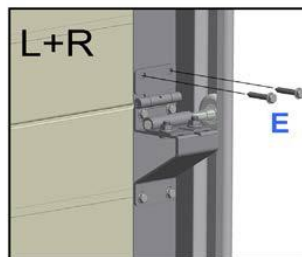
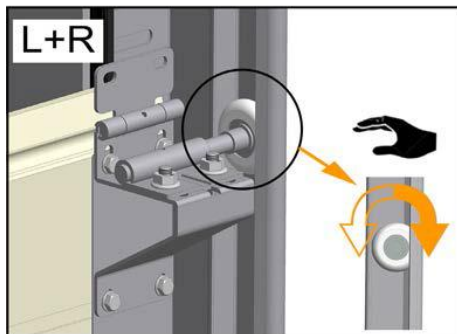
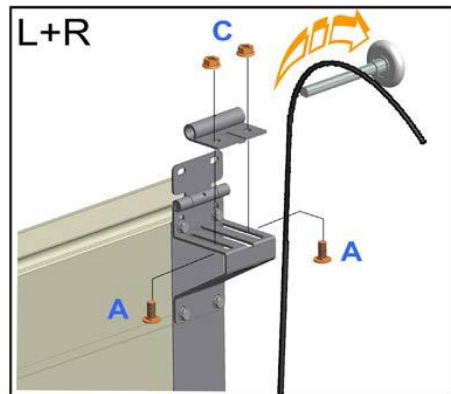
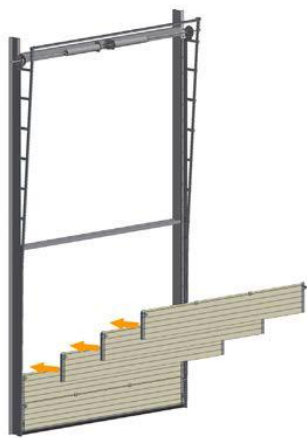
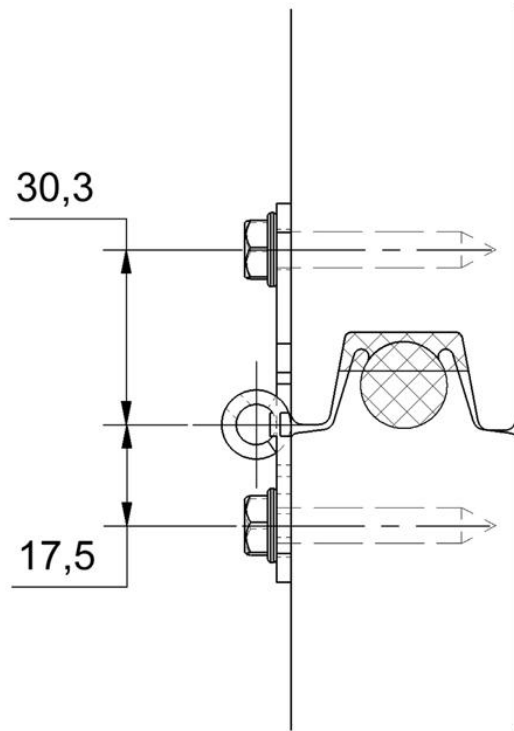
C = 1250 mm max. (maximum distance between side and intermediate hinges)

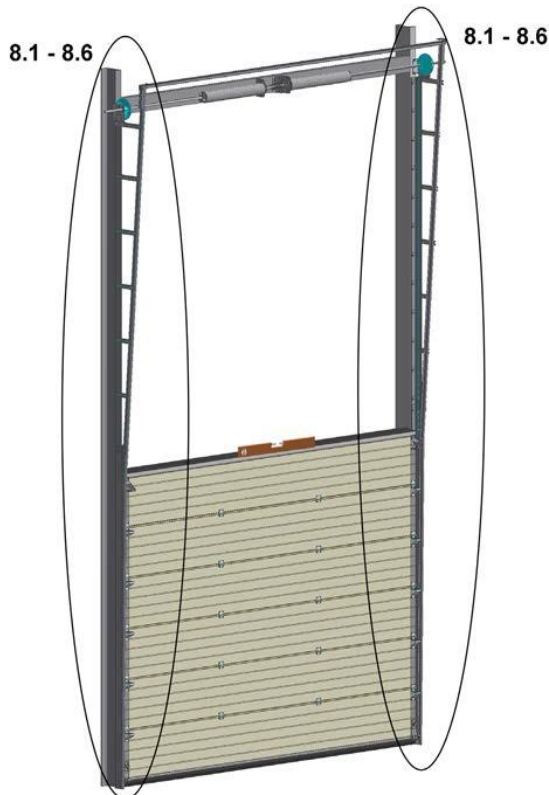
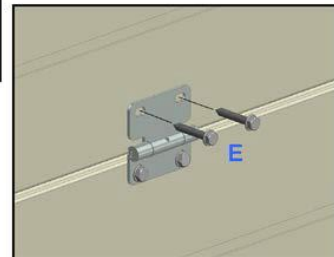
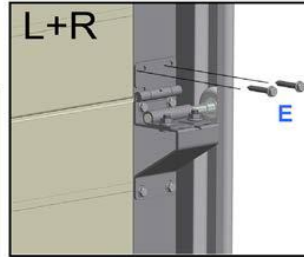
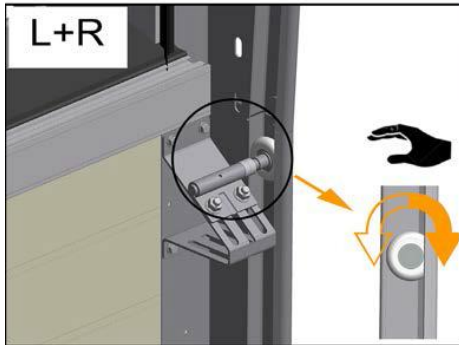
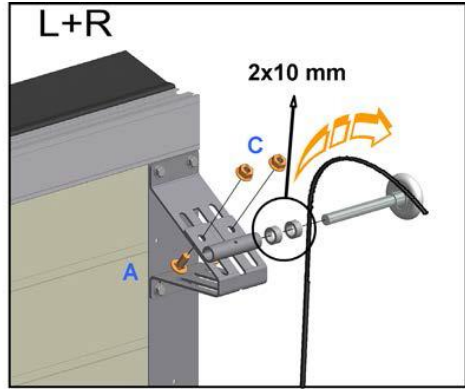




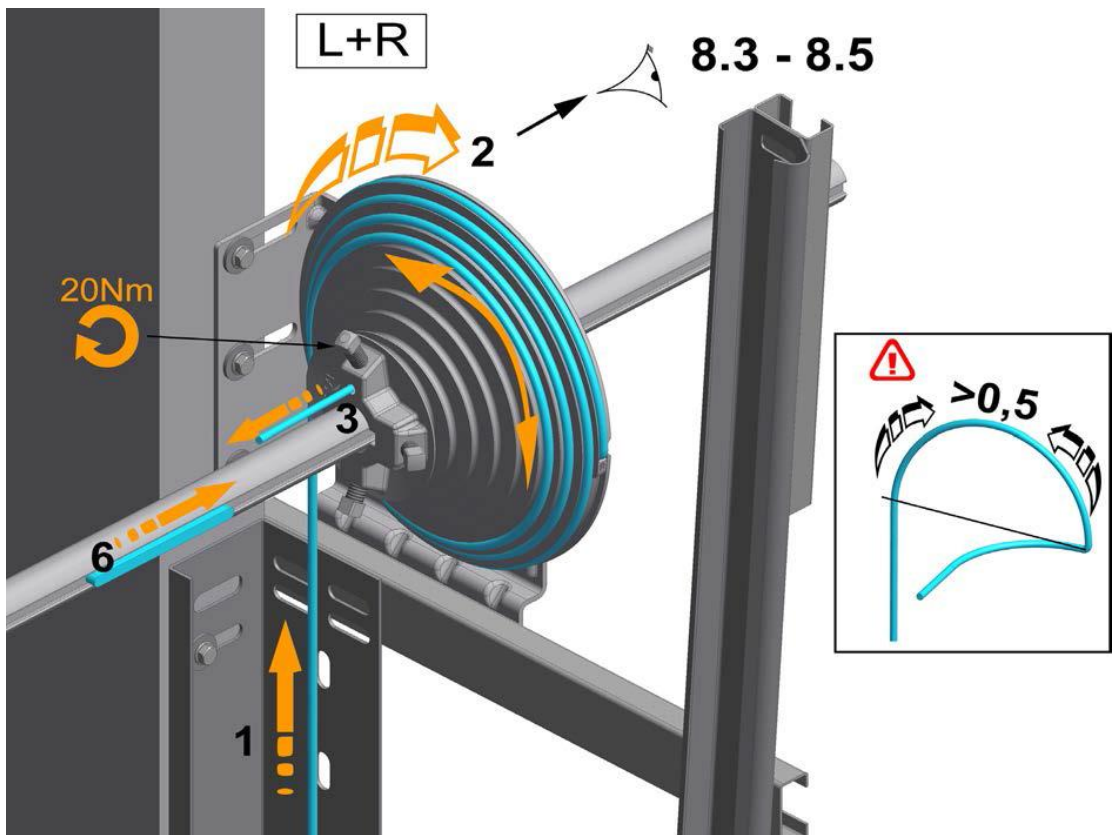
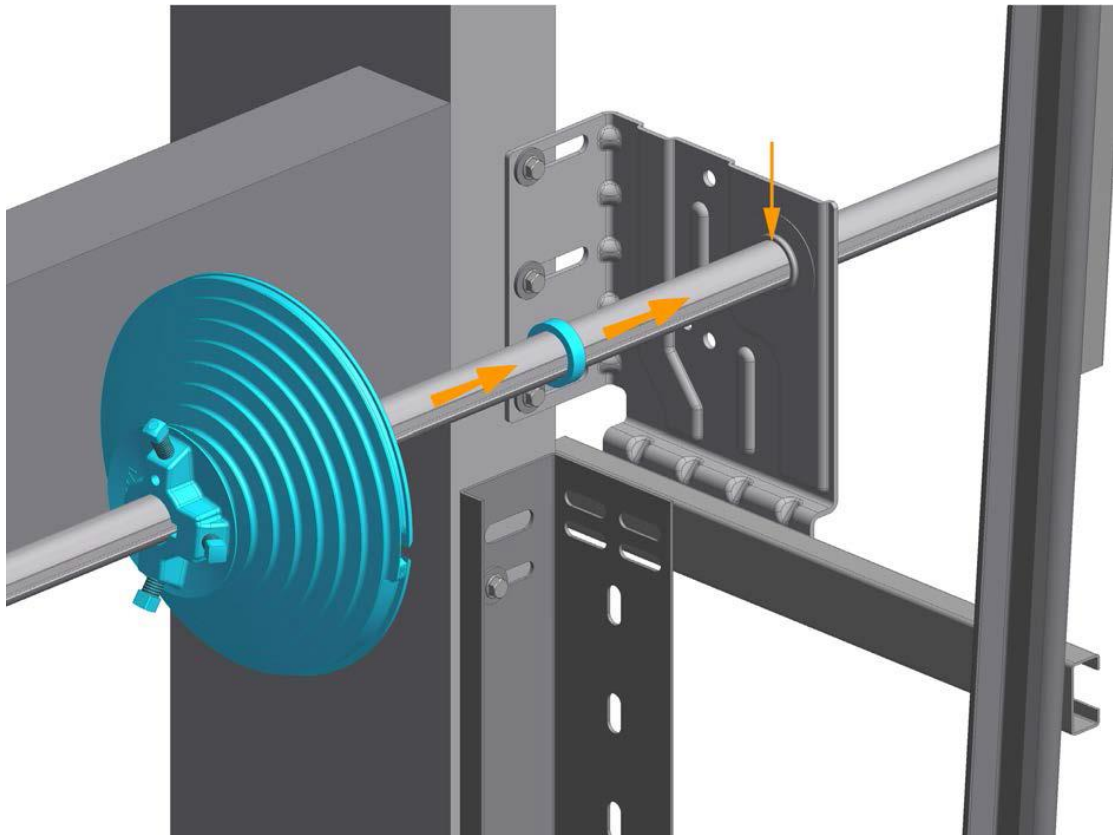
OPTION - cable release switch. Block industrial motor, when cable are released

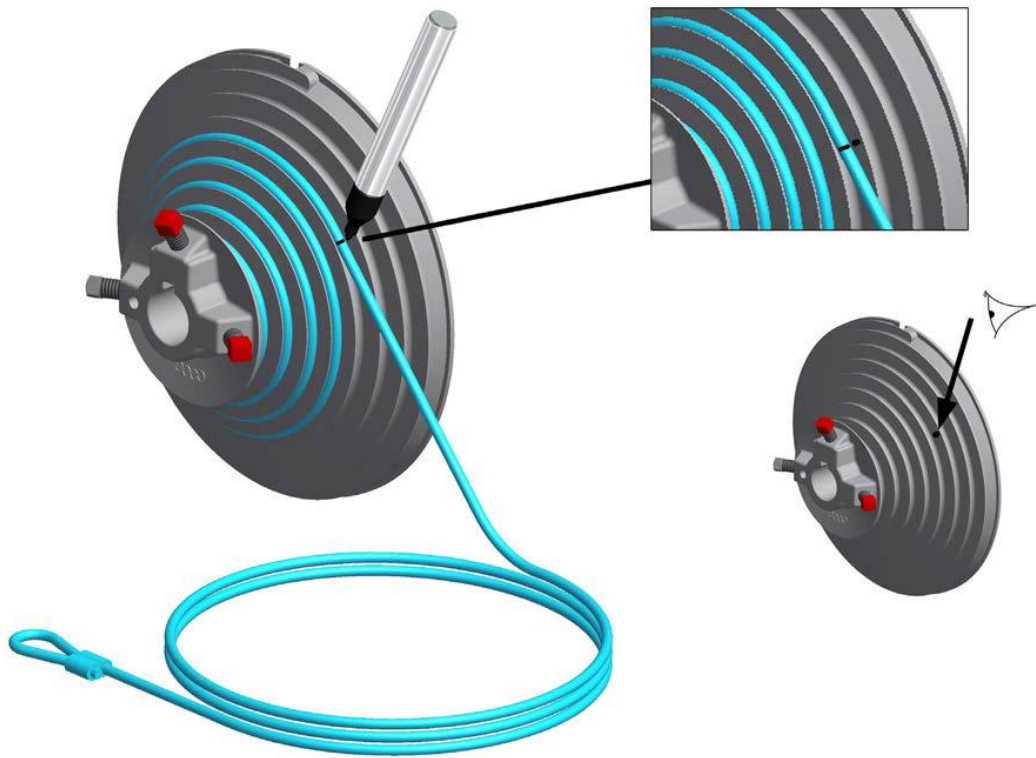
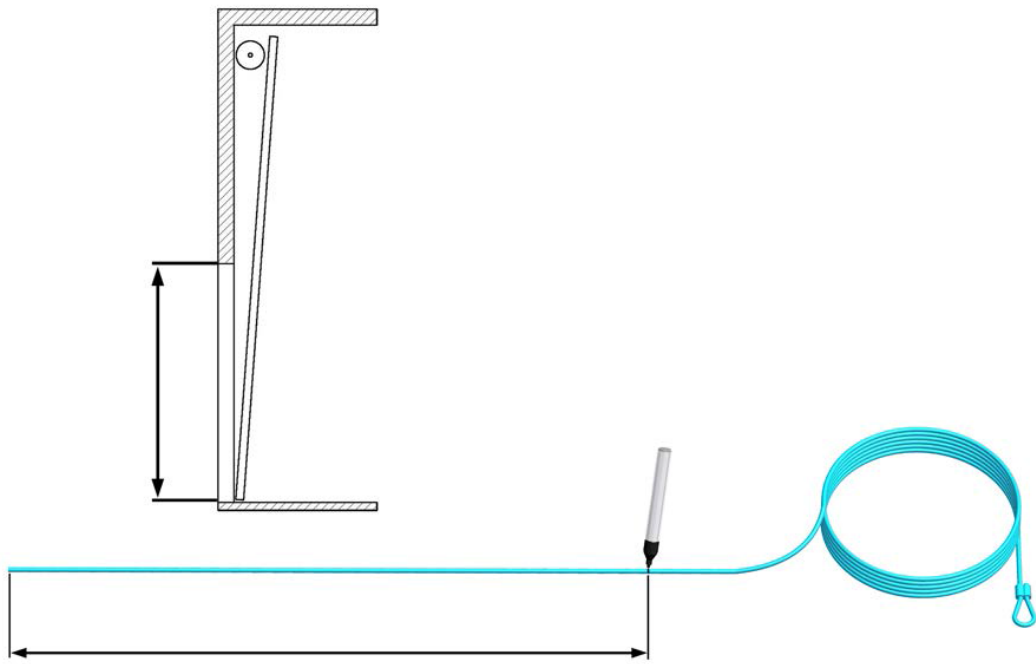


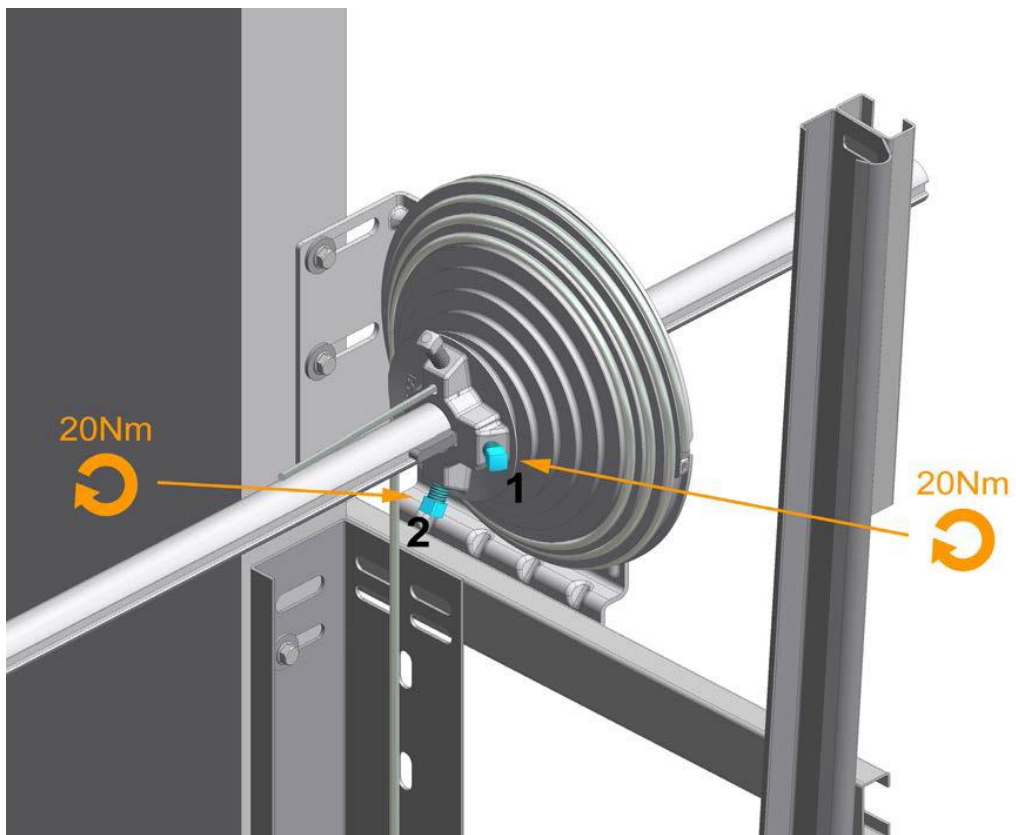
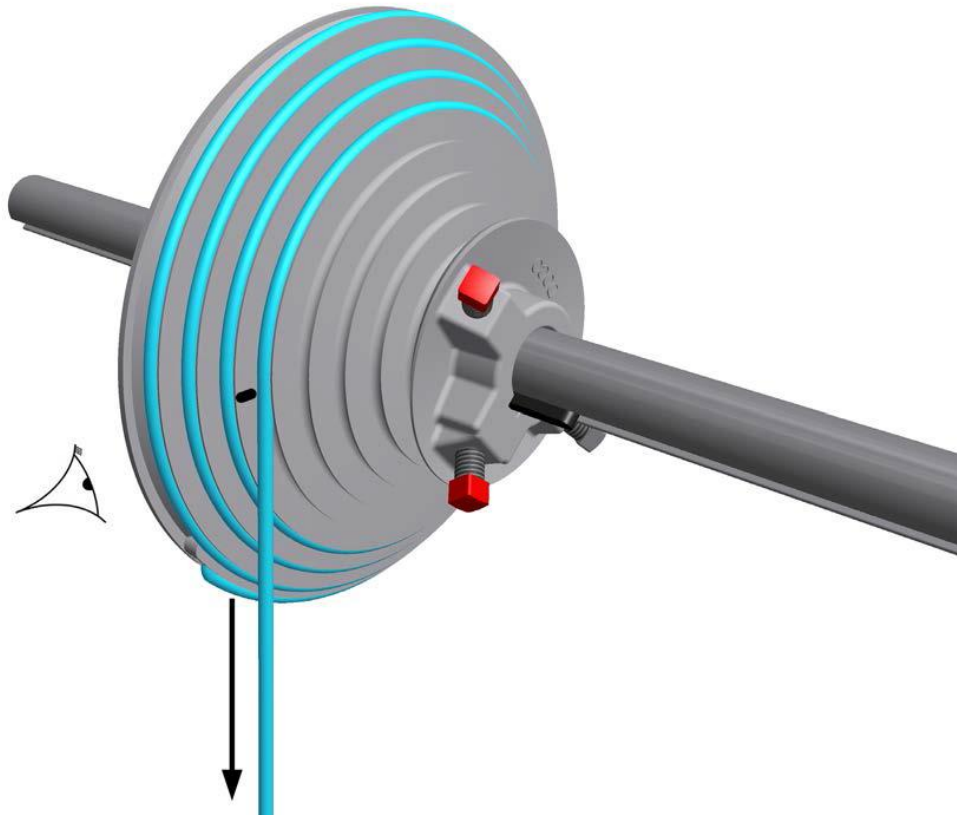


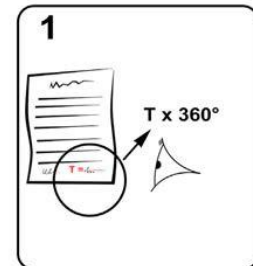
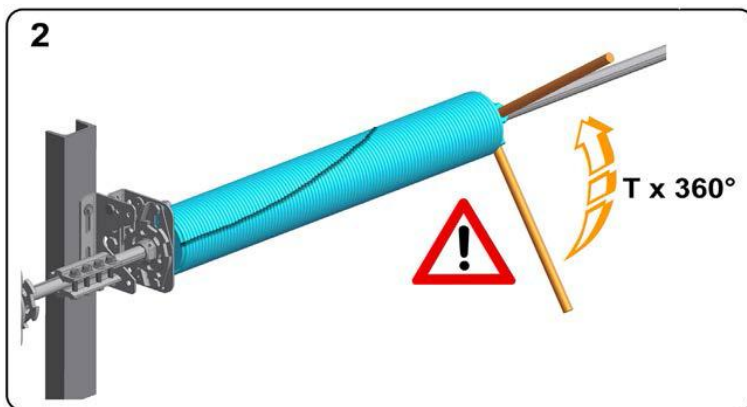
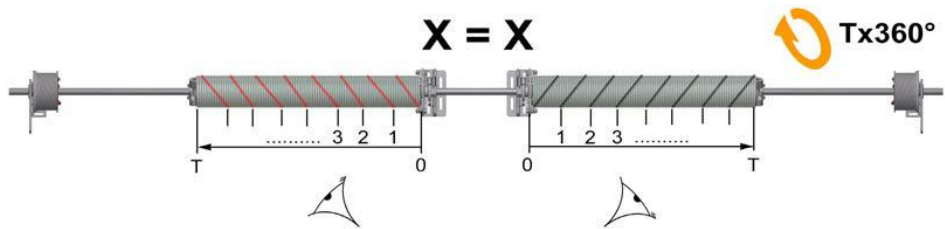
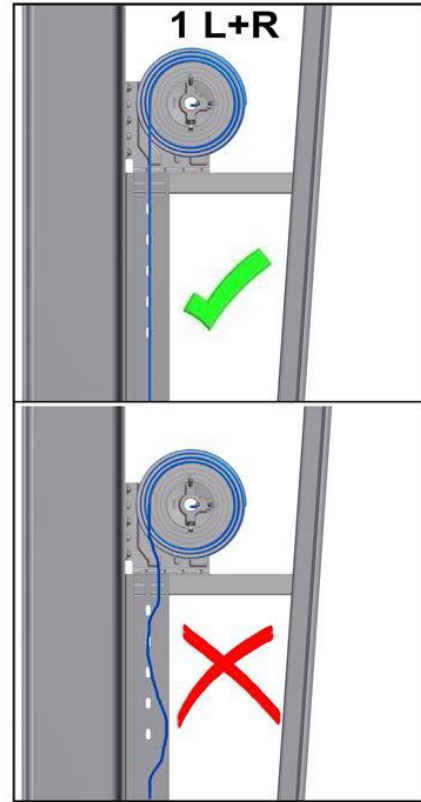
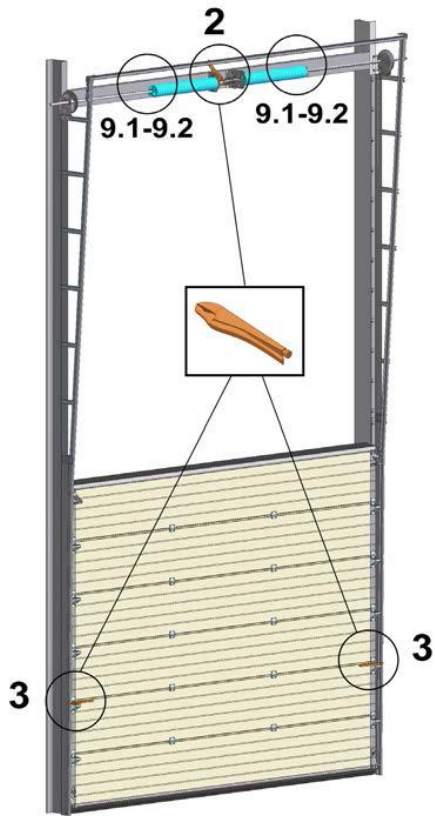


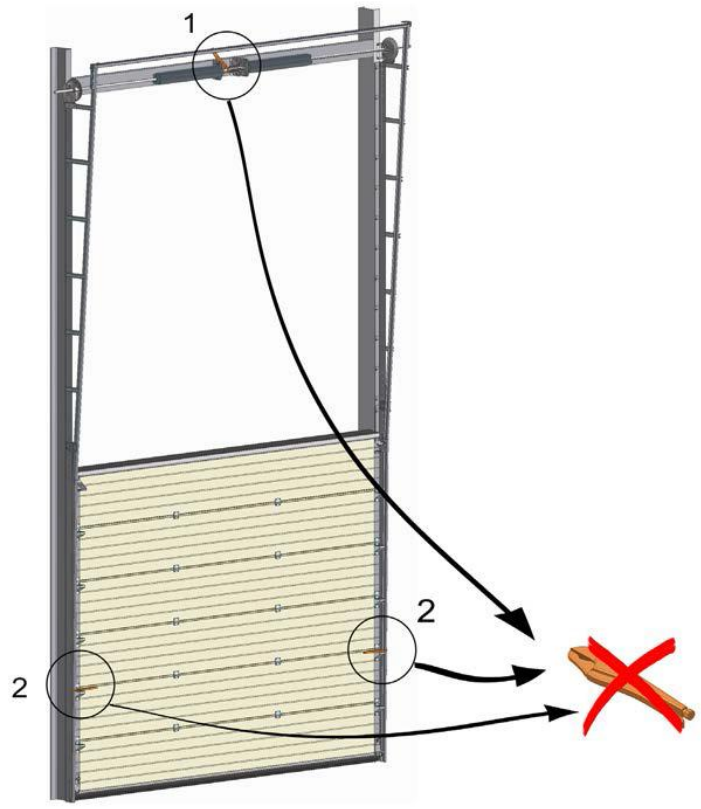
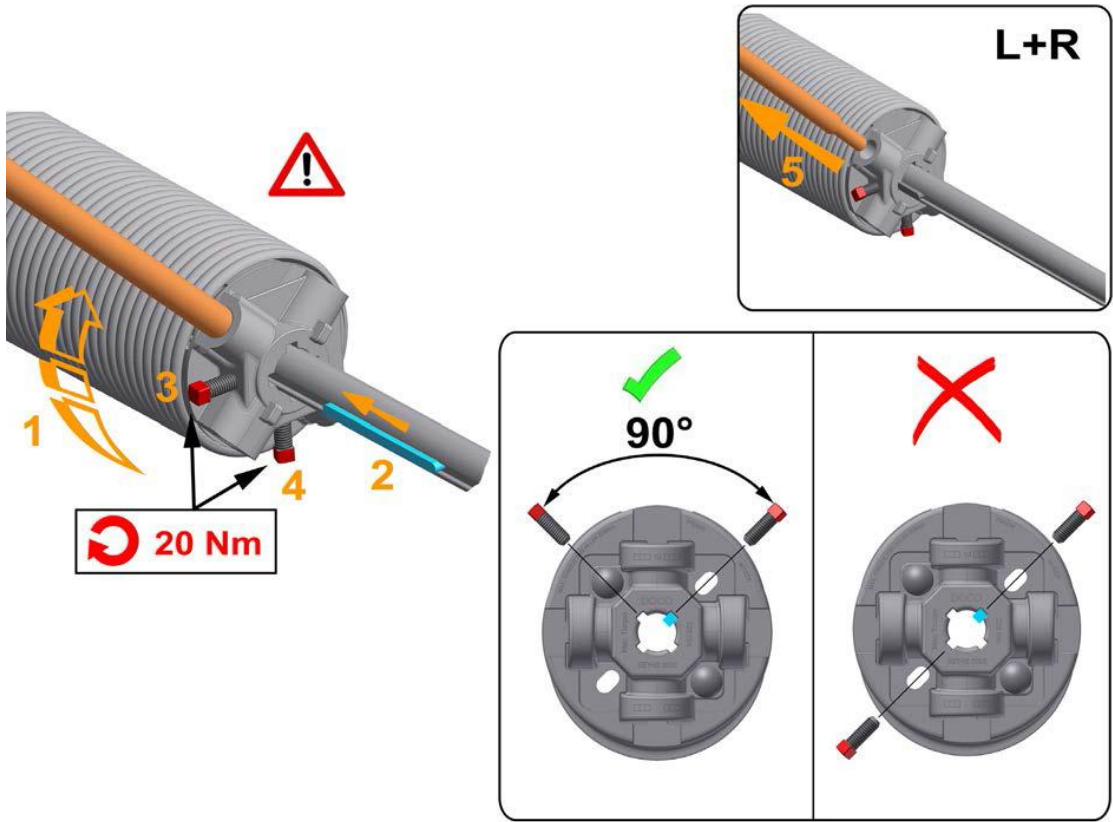
3 mm : max. 166 kg
 4 mm : max. 295 kg
 5 mm : max. 463 kg
 6 mm : max. 660 kg

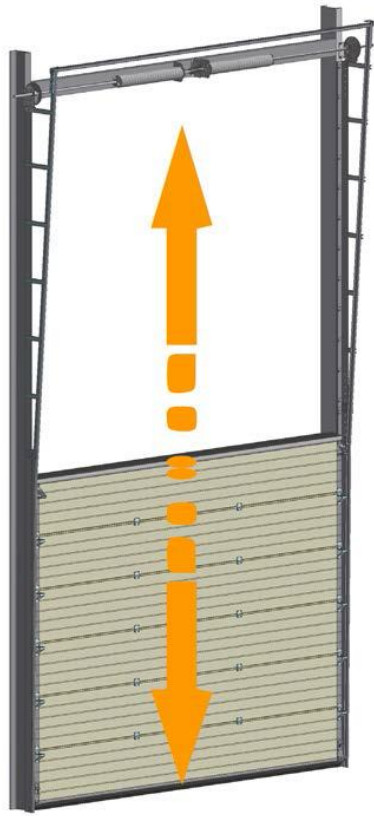




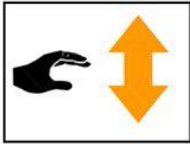


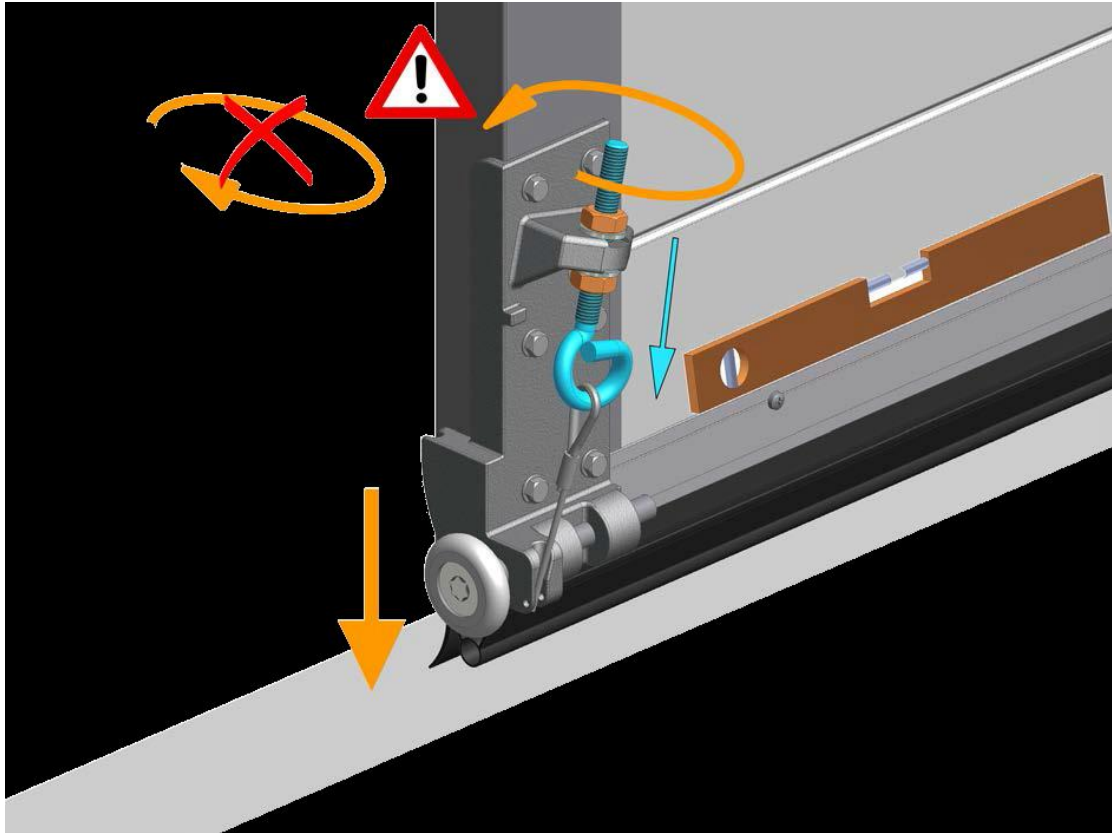


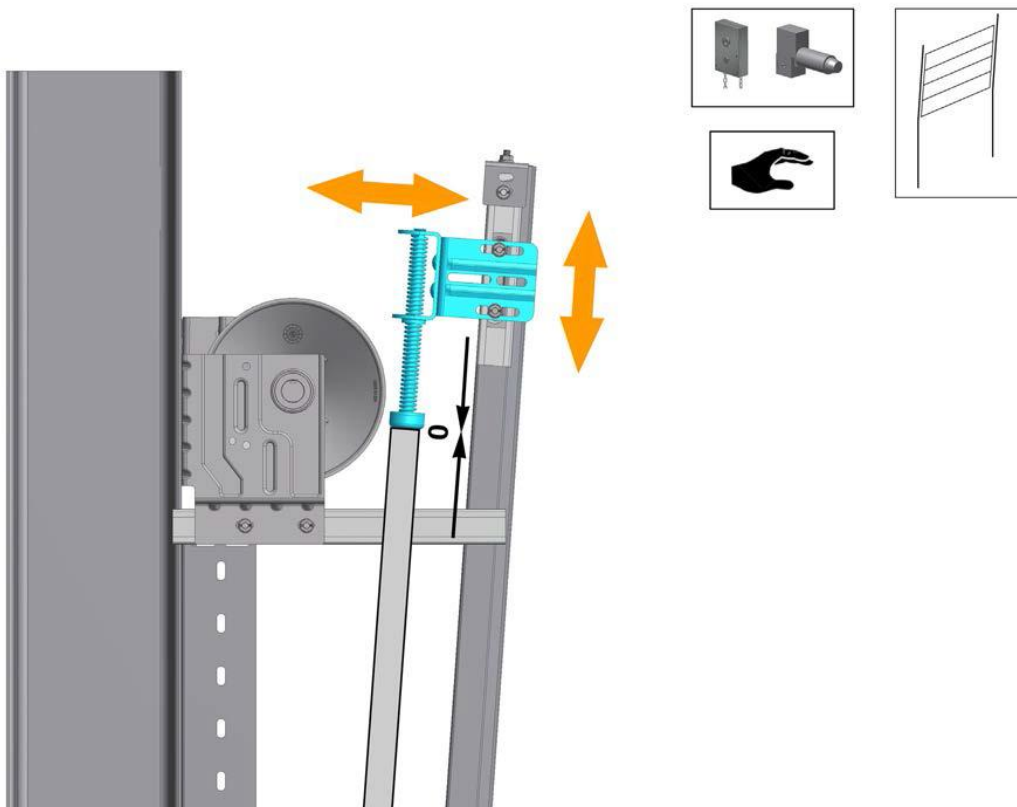
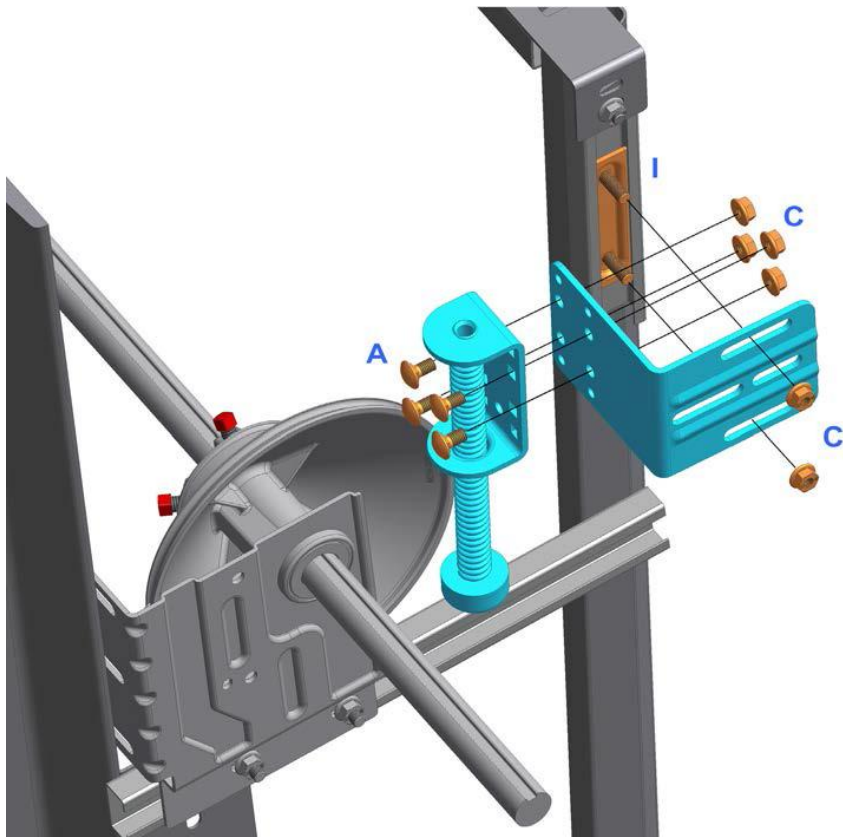


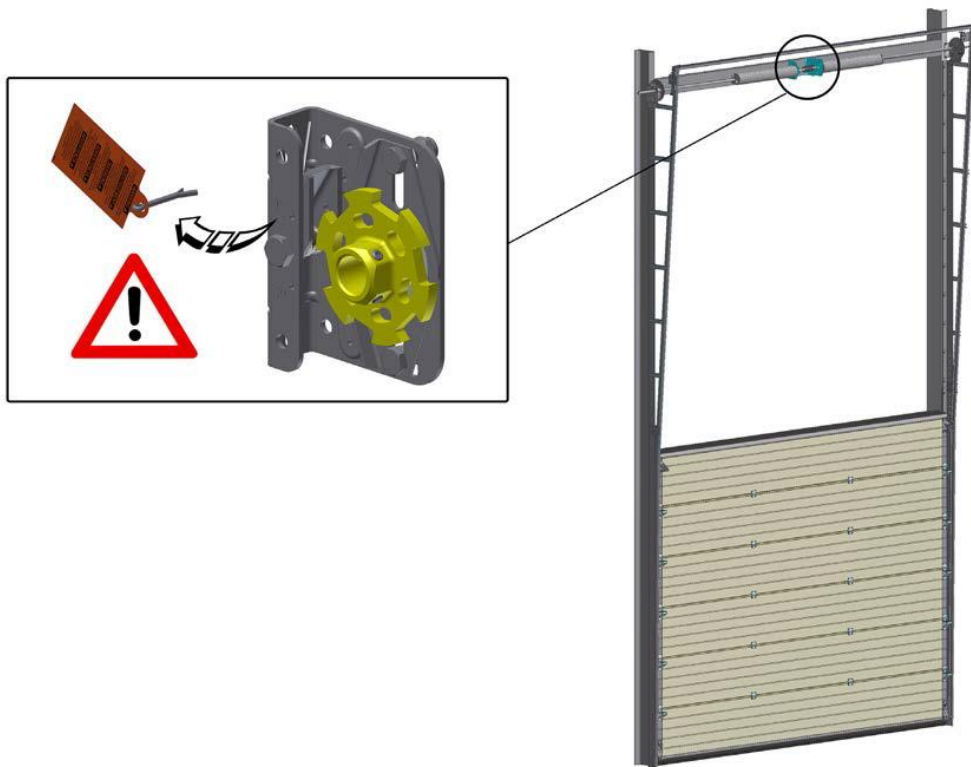


11.1 - 11.2

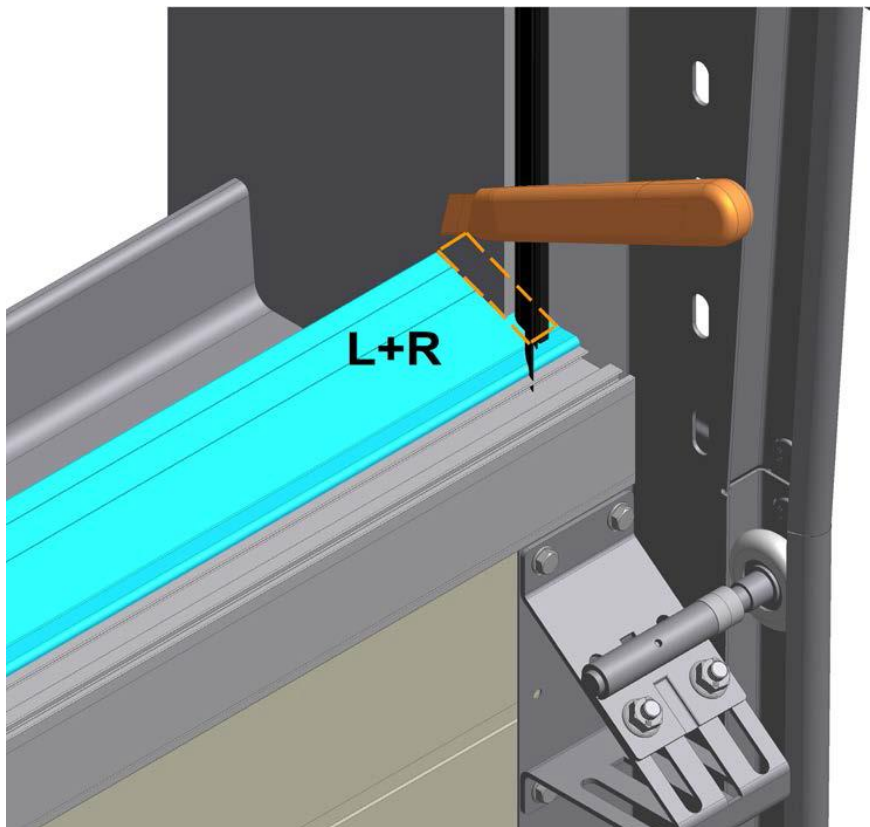








Activate spring safety



First use

The First use of the Industrial door System has to be carried out by the installer. After that the ALL users need to be instructed. For more information check the User Manual.

Handover

Handover the following documents to the end user:

- This manual (assembly, maintenance and disassembly)
- User manual
- Service logbook
- Declaration of Performance (DoP)
- Declaration of Conformity (DoC), only in case of a Power operated door

Electric operator (optional)

Mount the operator according the supplier's manual.



NOTE:

In case of power failure it should be possible to unlock the door using the emergency release from the operator. The door leaf may only in that case, be operated with a handle. Do not fit a pull cord, shoot bolt or lock to an electrically operated door, or the shootbolt or lock need to be equipped with a safety switch.

Control unit settings

Settings to the control unit should be carried out in accordance with the operator manufacturers manual.

Please note that our hardware kits have been CE approved for use with the operators specified in our ITTr report. Should a different operator be chosen, then the installer must carry out a peak force analysis in accordance with EN-12445 and EN-12453.



Disassembly

Disassembly should be only carried out by an qualified industrial door company / installer.

The door should be disassembled in the reverse sequence to the assembly manual.



Warnings

- Brackets and other components which are attached to Torsion Springs and Cables are under extreme tension.
- Tensioned springs carry a high tension; always be very careful, and make sure the tensioning bar are well maintained and use the right side of the bar (depends on used spring plug).
- When checking the industrial door system, always disconnected the electrical main power supply and make sure that it is blocked against re-engaging without you knowing it.

Procedure:

1 Release tension of the torsion springs!

a) Insert the 1st tensioning bar into the tensioning head

b) Keep a good grip on the 1st tensioning bar and carefully undo the bolts on the tensioning head and transfer the spring tension.

c) Now place the 2nd tensioning bar in the next hole of the spring plug and carefully release the spring. The spring is released from top to bottom.

- d) Again, fit the 1st tensioning bar to the spring plug and release.
- e) Repeat steps 3-4 until the spring is released.
- f) Repeat steps 1-4 for the other spring (springs).
- 2 Remove the electrical operator, according the manual of the electrical operator
- 3 Release the bolts in the cable drums and remove the steel cables from the cable drums. Be careful for any remaining tension in the cables, check if the cables are slack!
- 4 Remove the power-unit. Do this by first removing the coupler and then carefully sliding both shaft halves out of the bearing plates. Be aware that components may slide along the shaft!
- 5 Remove the panel sections from top to bottom. Achieve this by removing the roller holders and centre hinges.
- 6 Remove the horizontal trackset
- 7 Remove the vertical trackset

Disposal

All parts of this Industrial Door System can be easily disposed of.
Please consult your local authorities on this matter.



Maintenance

In accordance with EU standards, Industrial door systems should be maintained and checked regularly, from the first time of use, based on the indicated service by the installer. Maintenance needs to be recorded written. **Maintenance should be only carried out by an qualified industrial door company / installer.**

Warnings

- Brackets and other components which are attached to Torsion Springs and Cables are under extreme tension.
- Tensioned springs carry a high tension; always be very careful, and make sure the tensioning bar are well maintained and use the right side of the bar (depends on used spring plug).
- When checking the industrial door system, always disconnect the electrical main power supply and make sure that it is blocked against re-engaging without you knowing it.

Directly after installation (By Installer):

- 1 Lubricate the running part of the tracks (advice: PTFE)
- 2 Lubricate bearings and the shaft of the rollers (advice: PTFE)
- 3 Lubricate pins of the hinges from intermediate- and side-hinges (advice: PTFE)
- 4 Lubricate the bearing of the shaft (advice: PTFE)
- 5 Lubricate sealing rubbers (advice: special rubber grease or vasaline)

After 3 months (By Installer):

- 1 Check balancing system / Re-tensioning springs (relaxation springs)
- 2 Complete visual inspection

Every 6 months (By User):

- 1 Check side seals, Top seal and Bottom Seal on damage or wear and tear
- 2 Lubricate the running part of the tracks (advice: PTFE)
- 3 Lubricate bearings and the shaft of the rollers (advice: PTFE)
- 4 Lubricate pins of the hinges from intermediate- and side-hinges (advice: PTFE spray)
- 5 Lubricate sealing rubbers (advice: special rubber grease or vasaline)
- 6 Clean the panels (advice: shampoo for car cleaning with water), do not use aggressive detergents
- 7 Wax the panels (advice: car wax)
- 8 Remove dirt from the door and surroundings

Every 12 months or every 7500 door cycles (By Installer):

- 1 Check the cables and the end connections from the cable on damages or wear and tear
- 2 Check the cable connection points on bottom bracket or cable break device and Cable drum
- 3 Check the spring break devices in accordance with separate manual
 - 3.1 Check the position of the ratched wheel
 - 3.2 Check the function of the catcher
 - 3.3 Check the bolt and screws connection of the SBD
- 4 Check the Cable Brack Device in accordance with the seperate manual
 - 4.1 Check the function of the Cable Break Device
 - 4.2 Check position of the knife of the Cable Break Device
 - 4.3 Check the position of the hinge pin
- 5 Check the balance of the door and adjust if needed / check the manual operation
- 6 Check the hinges on breaking and wear and tear
- 7 Check the Pulley system (if present) for damages or wear and tear
- 8 Check or test the fixations of the springs to the spring plugs
- 9 Check the rollers or damages or wear and tear and free moving space
- 10 Check the closing forces of the main closing edge (Only if Electrical Operation an Not Deadman function)
- 11 Check the suspension from the horizontal track to the ceiling
 - 11.1 Check the suspension profiles on breaking or damages
 - 11.2 Check the bolt and nut connection
- 12 Check side seals, Top seal and Bottom Seal on damage or wear and tear
- 13 Check the panels on damage, wear and tear
- 14 Lubricate torsion springs, bearings of rollers, running parts of the track and bearing on the shaft

Every 24 months or every 15000 door cycles (By Installer):

- 1 Check the cables and the end connections from the cable on damages or wear and tear
- 2 Check the cable connection points on bottom bracket or cable break device and Cable drum
- 3 Check the spring break devices in accordance with separate manual
 - 3.1 Check the position of the ratched wheel
 - 3.2 Check the function of the catcher
 - 3.3 Check the bolt and screws connection of the SBD
- 4 Check the Cable Brack Device in accordance with the seperate manual
 - 4.1 Check the function of the Cable Break Device
 - 4.2 Check position of the knife of the Cable Break Device
 - 4.3 Check the position of the hinge pin
- 5 Check the balance of the door and adjust if needed / check the manual operation
- 6 Check the hinges on breaking and wear and tear
- 7 Check the Pulley system (if present) for damages or wear and tear
- 8 Check or test the fixations of the springs to the spring plugs
- 9 Check the rollers or damages or wear and tear and free moving space
- 10 Check the closing forces of the main closing edge (Only if Electrical Operation an Not Deadman function)
- 11 Check the suspension from the horizontal track to the ceiling
 - 11.1 Check the suspension profiles on breaking or damages
 - 11.2 Check the bolt and nut connection
- 12 Check the shaft on damages and wear and tear
- 13 Check the connection of the trackset
- 14 Check and re-fix the bolt of the coupler
- 15 Check side seals, Top seal and Bottom Seal on damage or wear and tear
- 16 Check the panels on damage, wear and tear
- 17 Lubricate torsion springs, bearings of rollers, running parts of the track and bearing on the shaft

Replacements of Parts

Only use Original Riga Door Systems Ltd spare parts!

Maintenance should be only carried out by a qualified industrial door company / installer.

After Spring Break:

See instructions separate manual

- 1 Replace the springs and the Spring Break Device
- 2 Check the shaft on damages and replace if necessary

After Cable Break:

See instructions separate manual

- 1 Replace cable with connection
- 2 Replace the complete Cable Break Device
- 3 Check tracks and service or replace the tracks